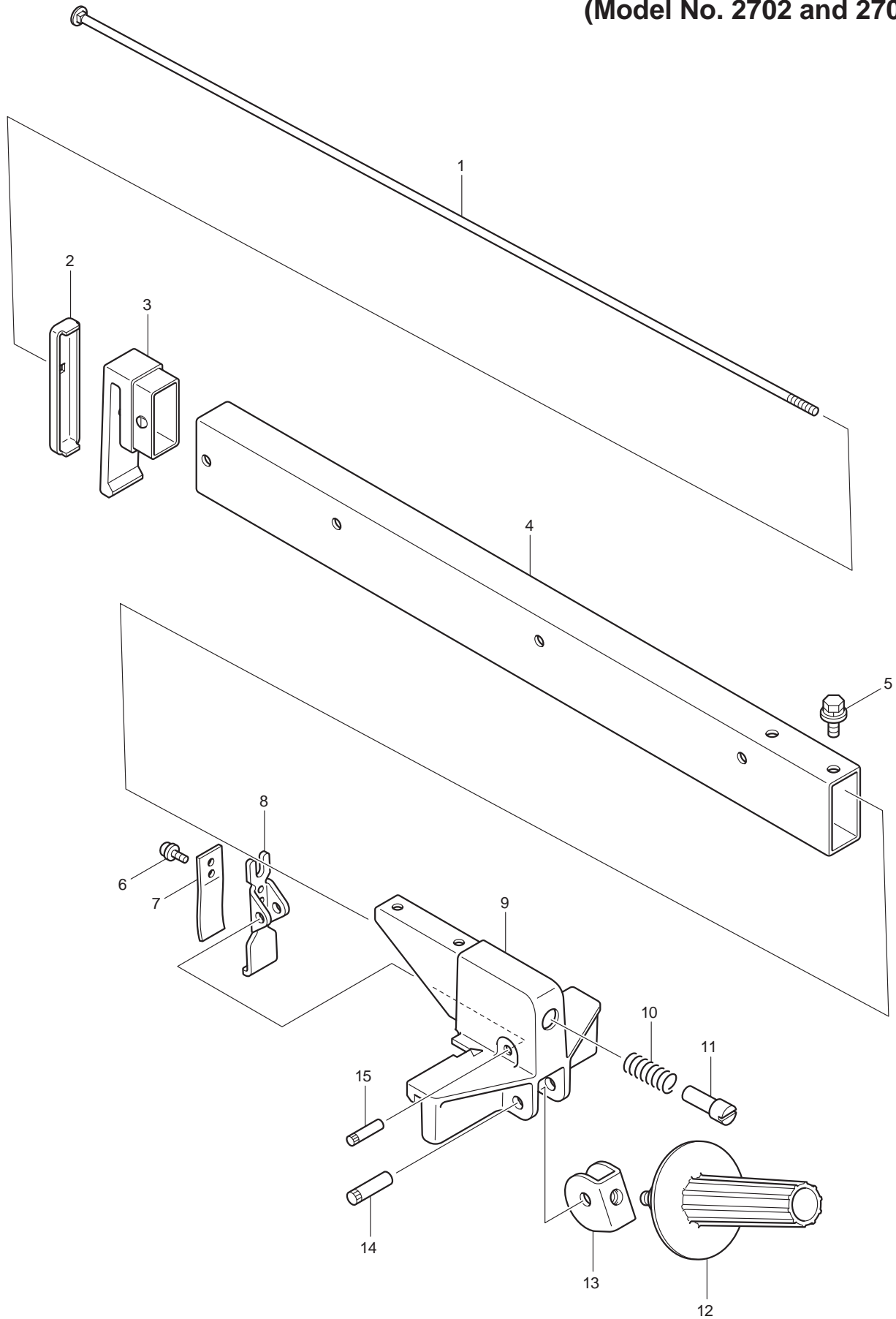




03 - 2010  
Part No. 122556-4  
Ruller Assembly  
(Model No. 2702 and 2703)



Item No.	Part No.	Description	Q'ty	Unit
1	266175-7	R.H SQUARE NECK BOLT M5X590	1	PC.
2	344530-4	HOOK PLATE	1	PC.
3	416342-6	RULER TOP	1	PC.
4	165205-0	RULER	1	PC.
5	265391-8	+HEX. BOLT M6X16	2	PC.
6	251308-7	+ PAN HEAD SCREW M4X10	1	PC.
7	232175-9	LEAF SPRING	1	PC.
8	344531-2	PRESSURE PLATE	1	PC.
9	316936-6	RULE HOLDER	1	PC.
10	233228-7	COMPRESSION SPRING 10	1	PC.
11	323739-1	ADJUST NUT	1	PC.
12	153489-2	GRIP (OLD# 273485-5 - N/L/A)	1	PC.
13	344580-9	CAM	1	PC.
14	256259-9	PIN 8	1	PC.
15	256258-1	PIN 6	1	PC.